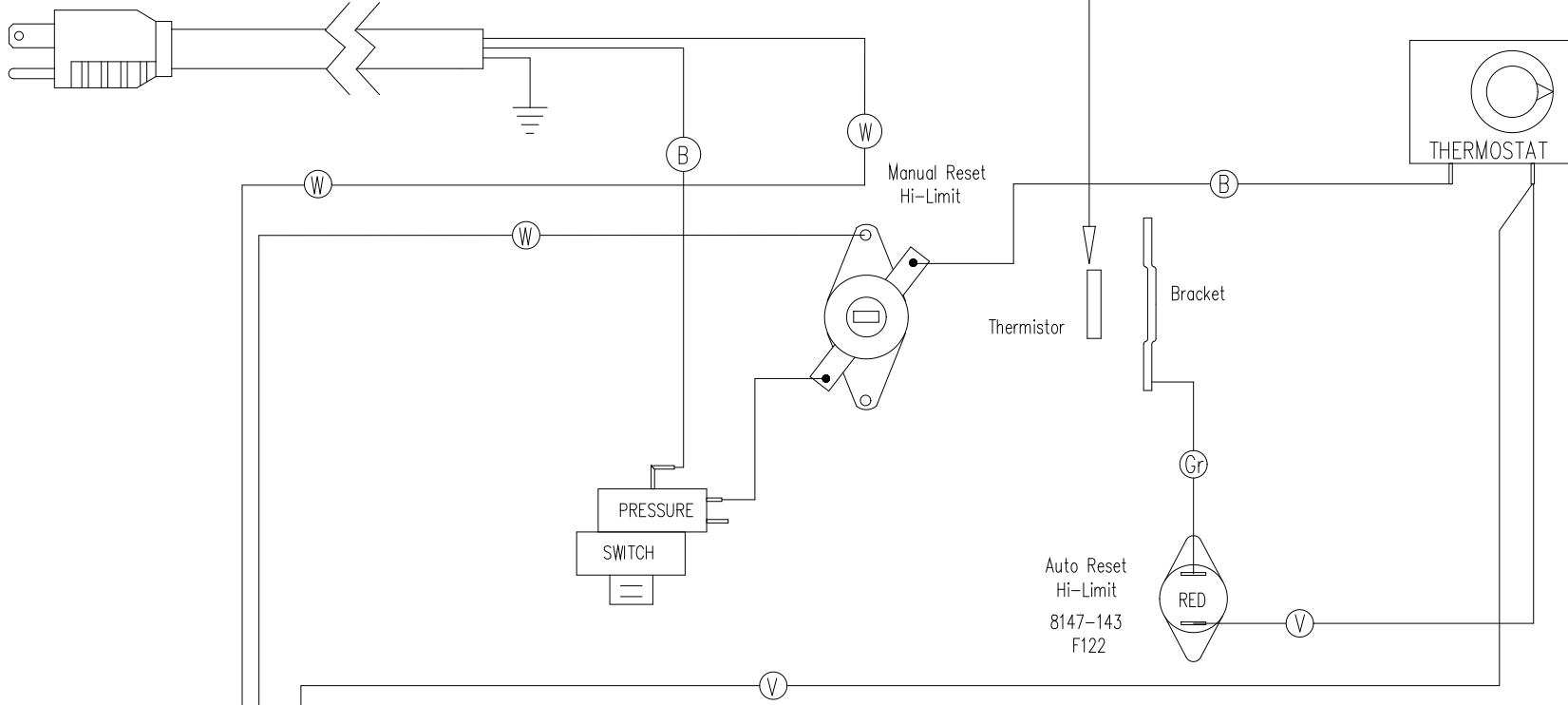


46" 15AMP POWER CORD

NOTE: Thermistor is to be placed underneath the manual reset hi-limit

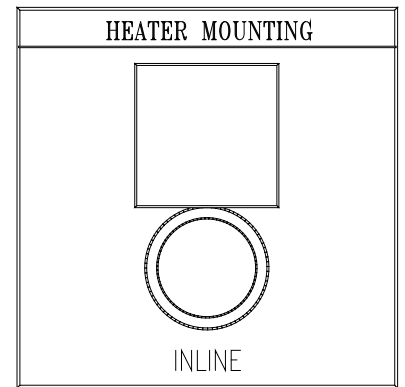
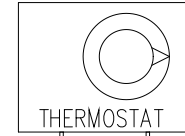


90 DEGREES AMBER Indicator Light

INLINE HEATER  
1.5kW @ 120V

1.5kW@120V INLINE

Auto Reset Hi-Limit  
8147-143  
F122



**HYDRO-QUIP**  
CORONA, CA (909) 273-7575

Manufacture Notes:

Dwg. No.  
**BF-12AT**

Drawn  
TDM  
Date  
7.19.01

Rev  
2

Diagram No.  
**1246**

Wire Color Code	
B - Black	G - Green
Br - Brown	Bl - Blue
R - Red	V - Violet
O - Orange	W - White
Y - Yellow	Gr - Gray